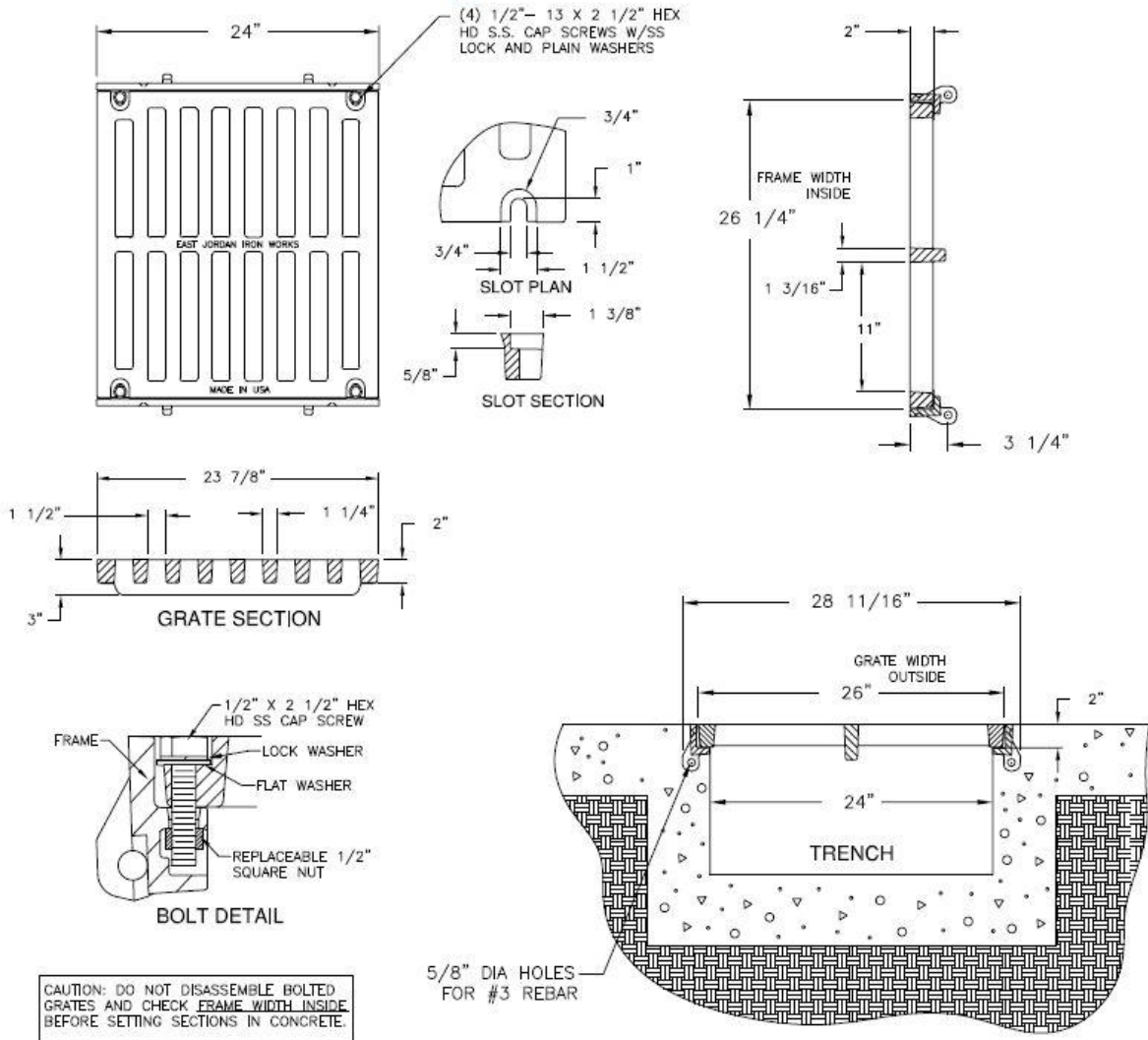


<p><b>Number</b></p> <p style="text-align: center;"><b>6908-Bolted</b></p>	<p><b>Series</b></p> <p style="text-align: center;"><b>6900 Series</b></p> <p style="text-align: center;">Airport Trench Grate and Frame Bolted Extra Heavy Duty</p>
--	--

## 6900 6908 Assembly



<p><b>Specification</b></p>	<p><b>Grate Material :</b> Gray Iron (CL35)  <b>Design Load:</b> Heavy Duty  <b>Open Area</b> 216 SQ IN  <b>Coating:</b> Undipped  <b>Certification:</b> ASTM A48  <b>Country of Origin:</b> USA</p>
-----------------------------	--

**Manufacturer**

DISCLAIMER - The customer and the customer's architects, engineers, consultants, and other professionals are completely responsible for the selection installation and maintenance of any product purchased from Trench Drain Supply and/or its manufacturers. TRENCH DRAIN SUPPLY MAKES NO WARRANTY, EXPRESS OR IMPLIED, AS TO THE SUITABILITY, DESIGN, MERCHANTABILITY, OR FITNESS OF THE PRODUCT FOR CUSTOMERS APPLICATION. The drawing and information provided remain the property and copyright of the manufacturer listed. The manufacturer reserves the right to modify specification without notice.